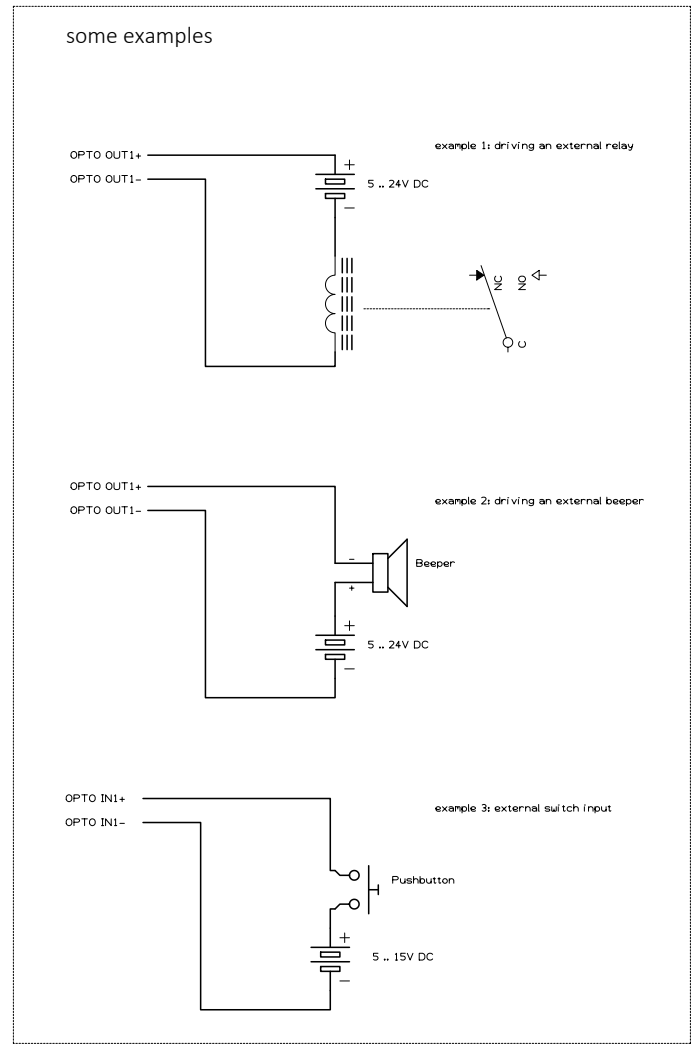
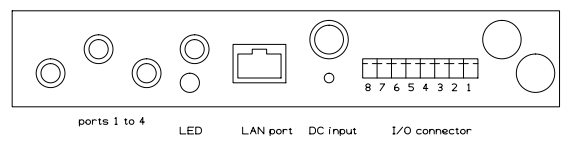


1 = OPTO OUT1+	max current: 600 mA max open voltage: 30 V
2 = OPTO OUT1-	
3 = OPTO OUT2+	
4 = OPTO OUT2-	
5 = OPTO IN1+	max input voltage: 24 V (typ. 12 V) minimum voltage to activate: 3.5 V
6 = OPTO IN1-	
7 = OPTO IN2-	
8 = OPTO IN2-	

Phoenix Contact  
 1844278 pcb header 3.5mm pitch MC series  
 1840421 cable plug

Typical voltage for inputs is 5-15V  
 For >15V, it is recommended to include a series resistor  
 e.g for 24V, a 1000 Ohm/0.5W resistor is recommended  
 for 48V, a 3300 Ohm/1W resistor is recommended

Optocoupler  
 I led = 3mA  
 Vf = 1.2V  
 I led. max = 50 mA  
 R on = 0.55 Ohm  
 I loadmax = 700 mA  
 Vmax = 60V  
 Protection diodes start conducting at 33V  
 Usable maximum voltage = 48V



Sense & Control logic definitions

port	logic	
	0	1 *
in1	Vin1 < 1 V	Vin1 > 3.5 V
in2	Vin2 < 1 V	Vin2 > 3.5 V
out1	switch off	switch on *
out2	switch off	switch on *

\* An output may also be switched on by any non-zero number

DESIGN TITLE **I/O connector pinning**

PROJECT NAME

COMPANY	Intellifi BV Keplerlaan 16 6716 BS Ede	DRAWING NO.	REVISION
			4

AUTHOR	Reinier Gerritsen	DATE	2-8-2019	SHEET	1 OF 1
--------	-------------------	------	----------	-------	--------